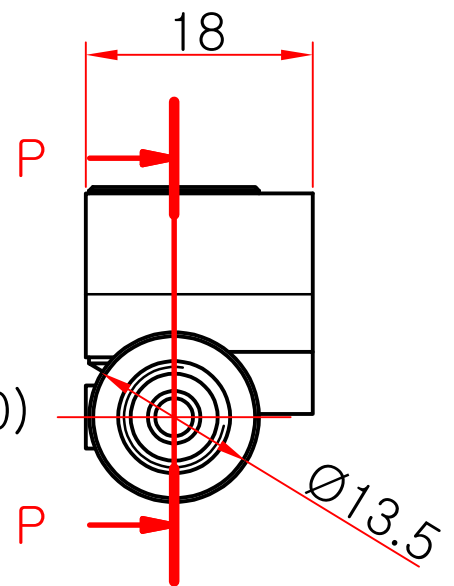
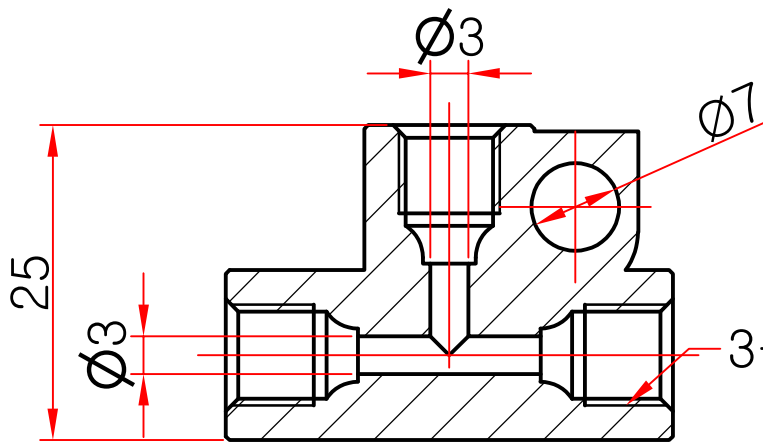
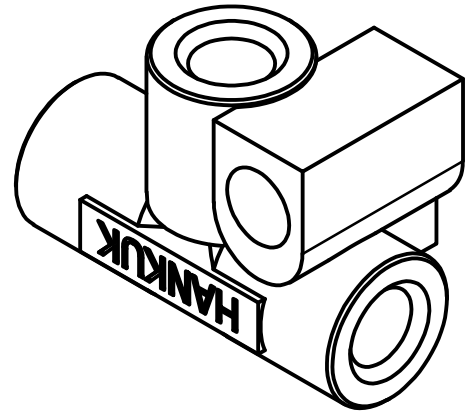
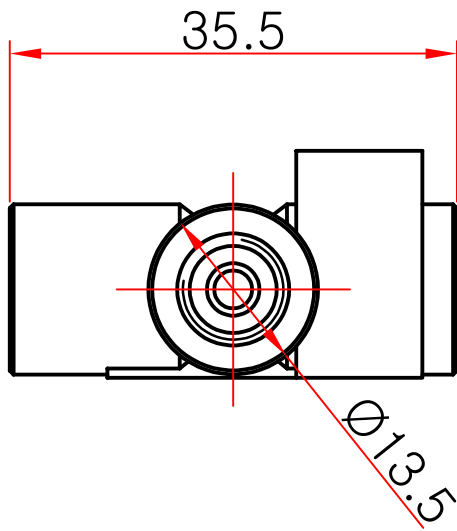




Drawing Name :

C003-1



P-P (1 : 1)

DESCRIPTION

MATERIAL

Distributor, 3(1P) M8 x 1P (2Points)

Zinc